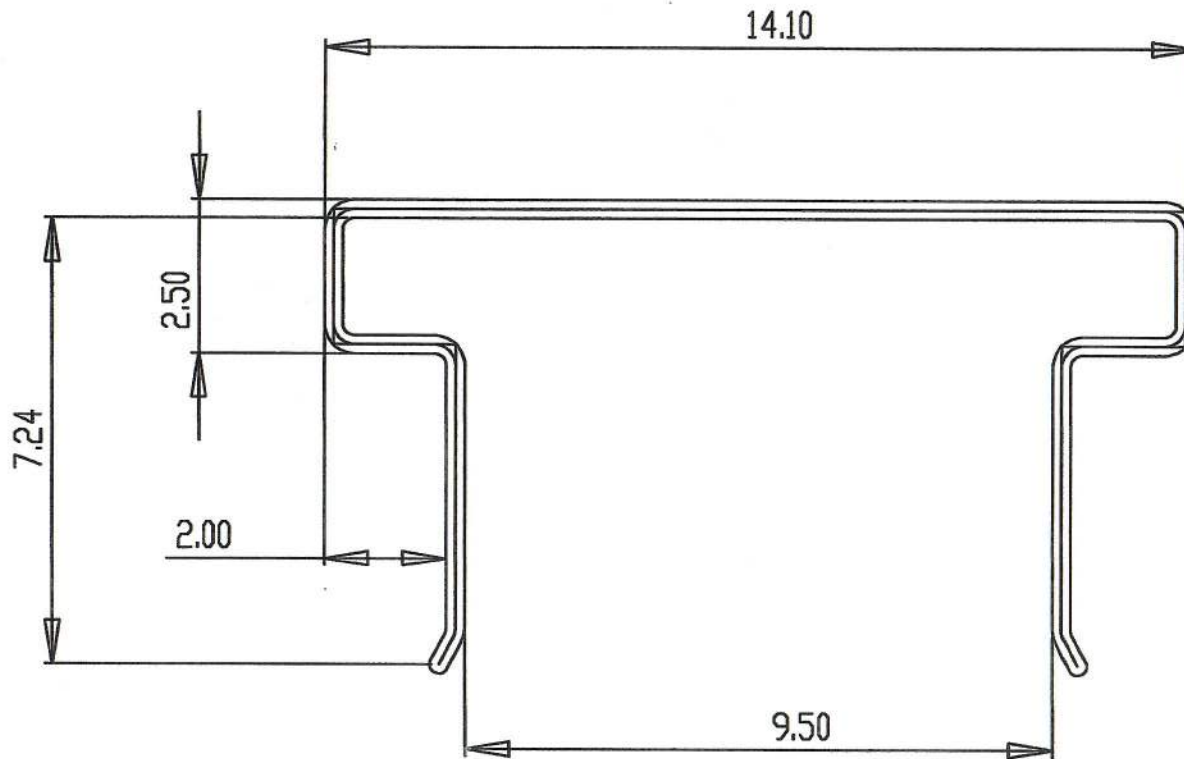


REVISIONS				
ZONE	REV.	DESCRIPTION	DATE	APPROVED



**SuperWall Fiberglass Top Cap
For 8.5" FRP sheetpile**

LEE COMPOSITES, INC.
P. O. Box 130363
The Woodlands, Texas 77393-0363
(O) 281-376-6146 (M) 281-782-2477
Email: boblee@leecomposites.com

PROPRIETARY AND CONFIDENTIAL
 THE INFORMATION CONTAINED IN THIS
 DRAWING IS THE SOLE PROPERTY OF
 DIVERSIFIED COMPOSITES INC. ANY
 REPRODUCTION IN PART OR AS A WHOLE
 WITHOUT THE WRITTEN PERMISSION OF
 DIVERSIFIED COMPOSITES INC. IS
 PROHIBITED.