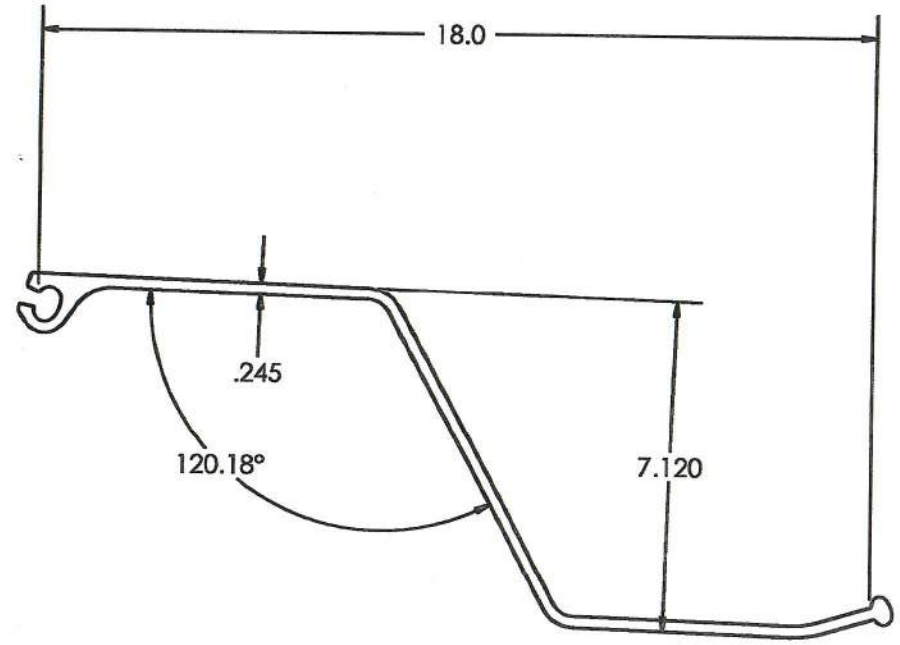


REVISIONS				
ZONE	REV.	DESCRIPTION	DATE	APPROVED



**SuperWall Fiberglass Sheetpile 7.25" profile**

**PROPRIETARY AND CONFIDENTIAL**  
 THE INFORMATION CONTAINED IN THIS  
 DRAWING IS THE SOLE PROPERTY OF  
 DIVERSIFIED COMPOSITES INC. ANY  
 REPRODUCTION IN PART OR AS A WHOLE  
 WITHOUT THE WRITTEN PERMISSION OF  
 DIVERSIFIED COMPOSITES INC. IS  
 PROHIBITED.

**LEE COMPOSITES, INC.**  
**P. O. Box 130363**  
**The Woodlands, Texas 77393-0363**  
**(O) 281-376-6146 (M) 281-782-2477**  
**Email: [boblee@leecomposites.com](mailto:boblee@leecomposites.com)**